



innovacon™

EZ Split Key Cup Drug Screen



www.alere.ca
1-800-818-8335

Product Benefits

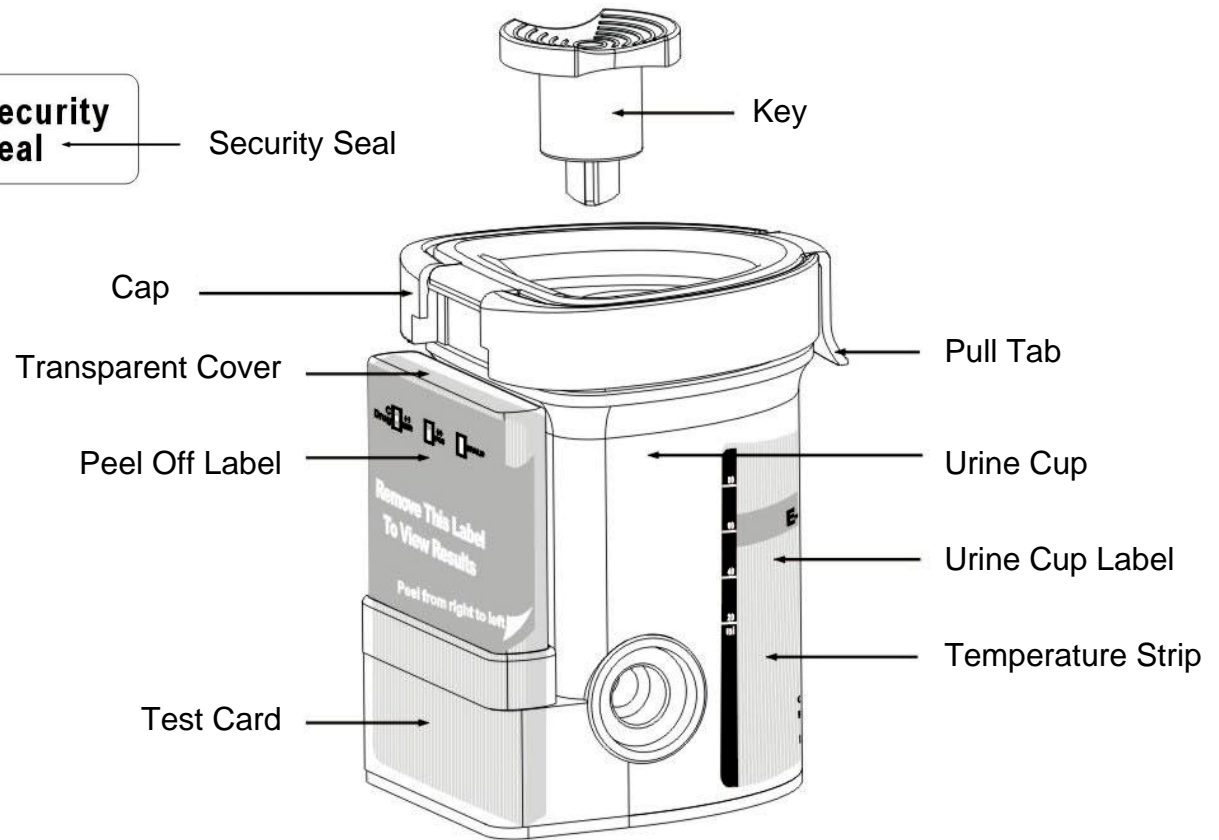
- Secure “Key” Activation
- 3-12 Drug Configurations
- Zero Exposure
- New Lid Design



The EZ Split Key Cup Drug Screen is only a preliminary screen and all positive screens must be confirmed using more definitive form of testing such as GC/MS (Gas Chromatography / Mass Spectrometry). Confirmation programs are available upon request.



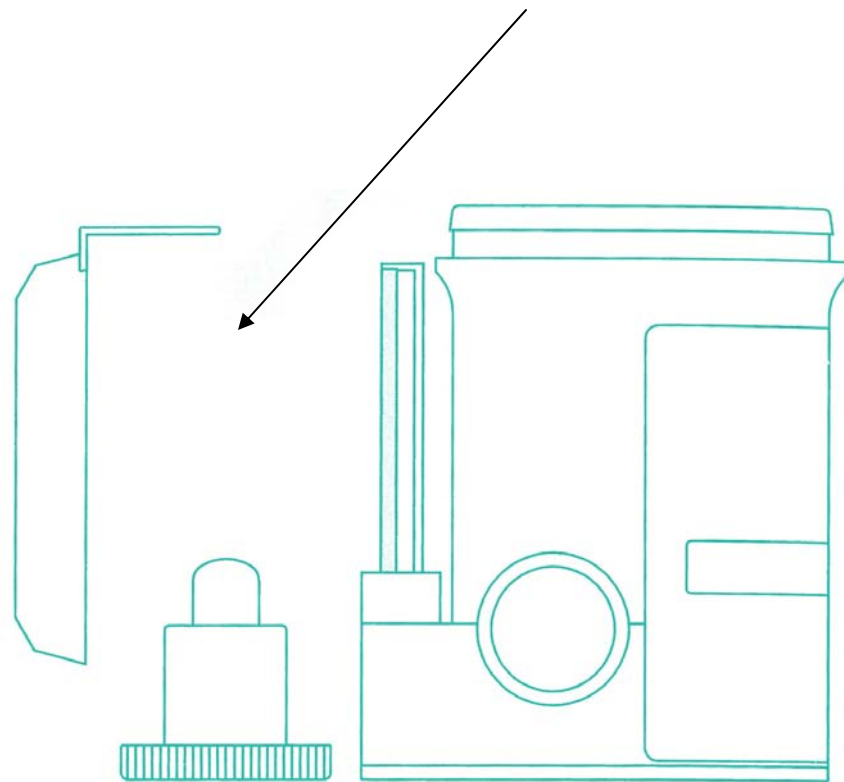
Description of Items



Procedure

Step 1

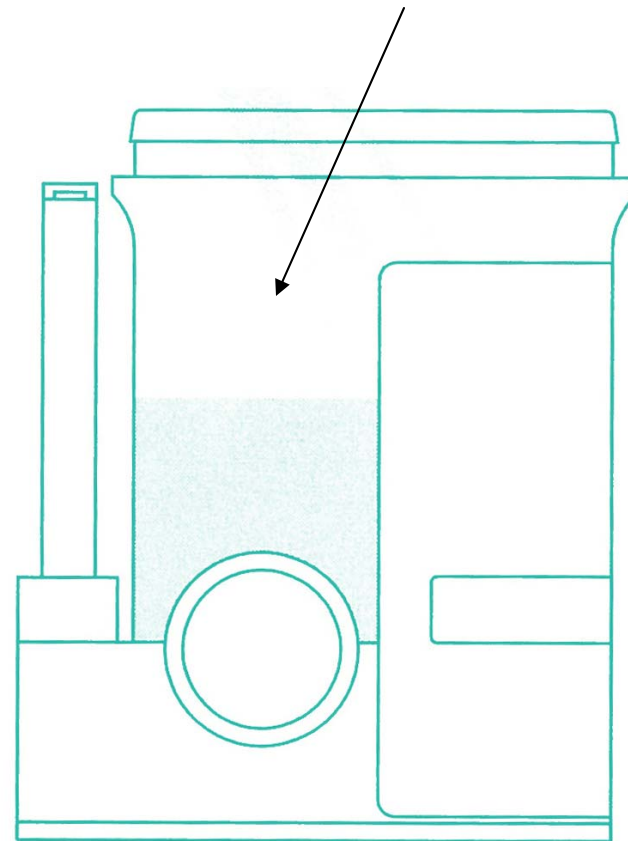
Remove the key by twisting it from the center of the cap. Open cap with the Pull Tab.(Key is held by technician.)



Procedure

Step 2

Donor provides specimen and secures cap. Note: Secure cap by pressing down on the Pull Tab until an audible click is heard.



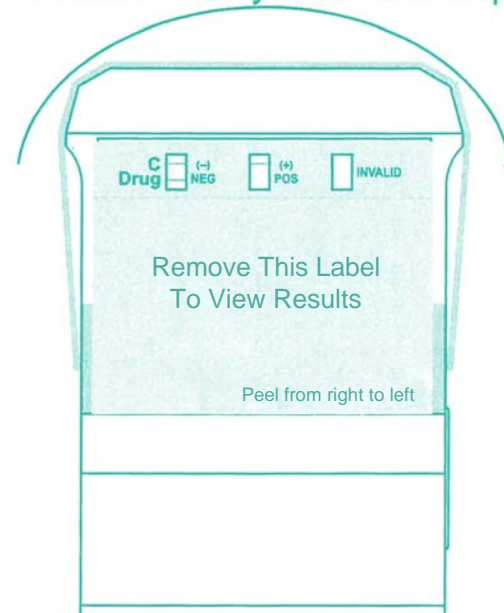
Procedure

Step 3

Check cap for tight seal. Technician dates and initials the security seal and places security seal over cap.



Place security seal over cup

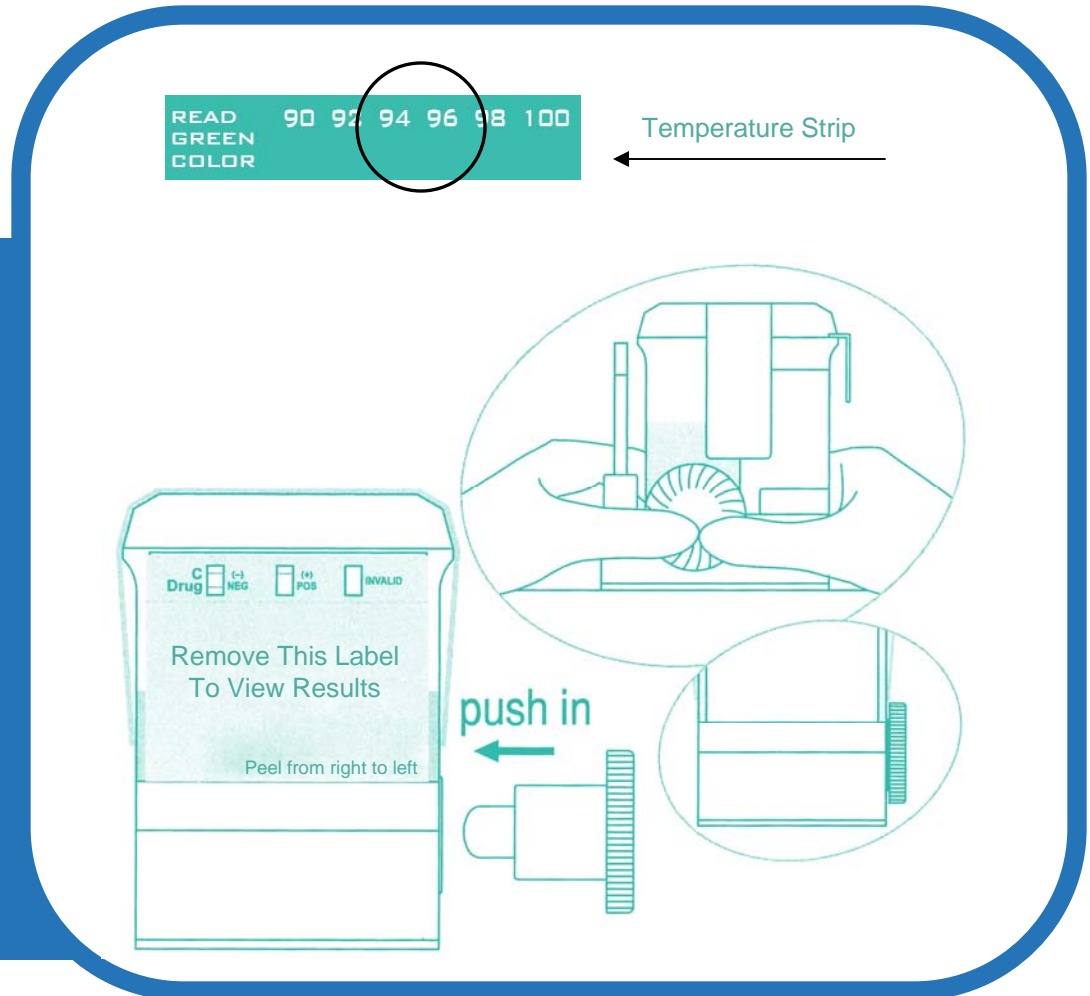


Procedure

Step 4

Check temperature strip for adequate range.

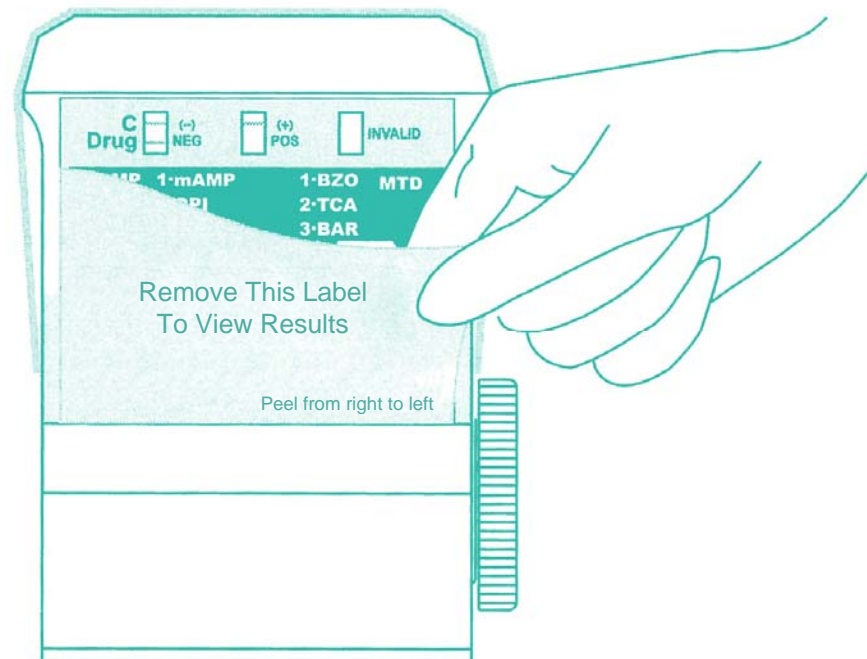
On a flat surface, technician inserts key and pushes in.



Procedure

Step 5

Peel off the label to view results.

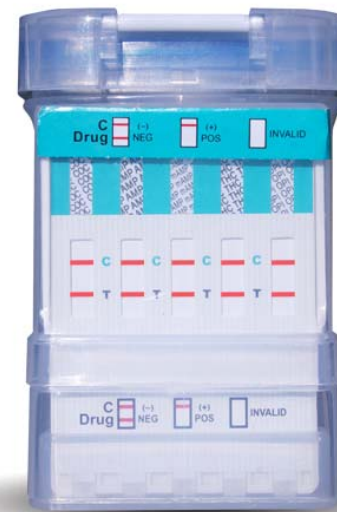


Procedure

Step 6

Read drug test results at 5 minutes.

Example: Test shows negative drug screen results.



Read results at 5 minutes.



All positive results are presumptive and should be confirmed by an alternative method. (e.g. GC/MS)

Procedure

Step 7

A photocopy of the drug test results can be made by placing the entire cup with the card face down on the copier.

